



833.89.126-129
833.89.166-175
833.89.058

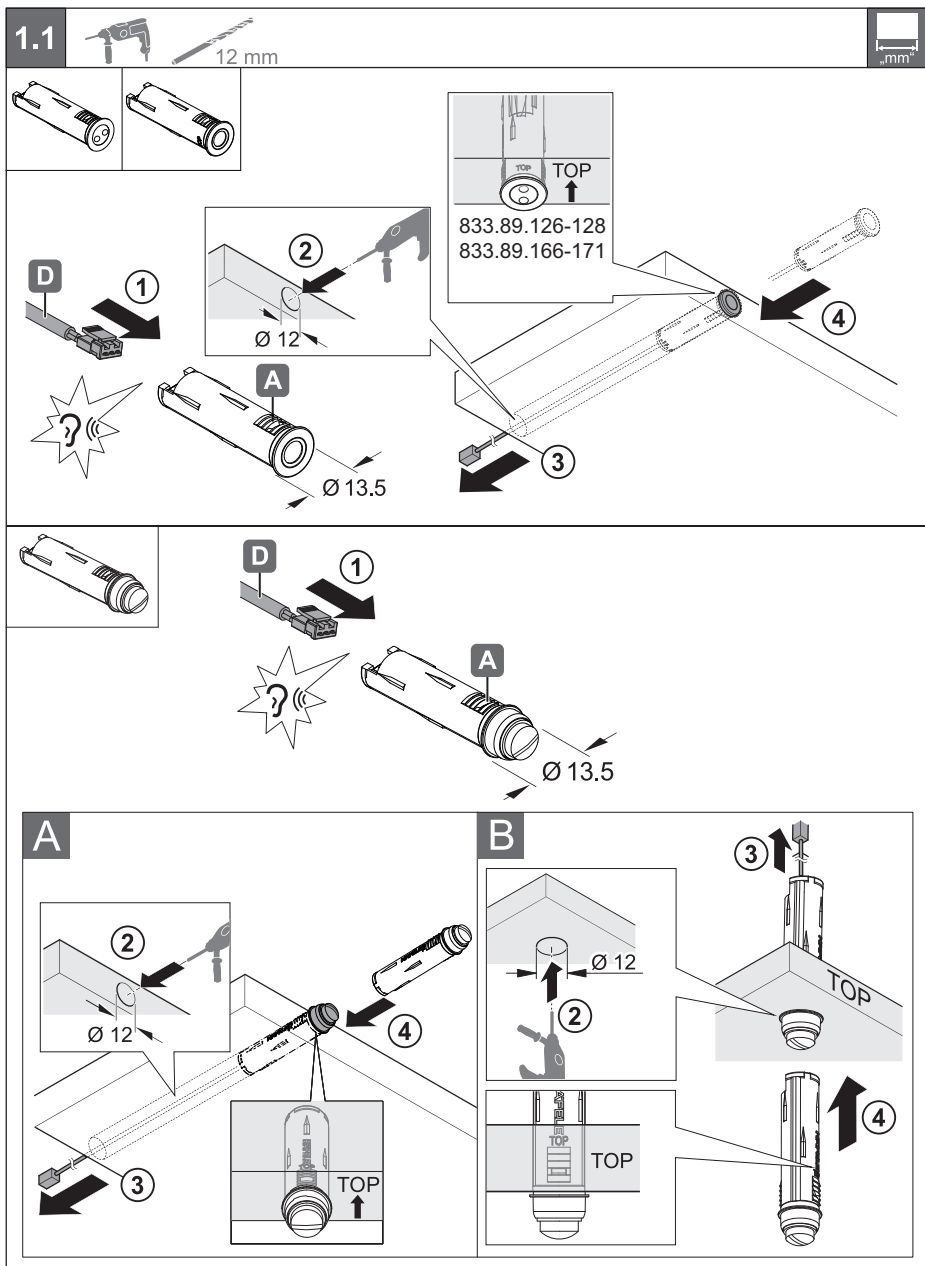
12 V System 24 V System 350 mA System		d (mm)	T_A	mm	mm		
833.89.126 833.89.166 833.89.168	20°	0-75	-20 °C – +45 °C -4 °F – +113 °F		Ø 13.5 x 45.9	≥ Ø 14.5 x 55.9	
833.89.127 833.89.167 833.89.169		0-75					
833.89.128 833.89.170 833.89.171	20°	0-100					
833.89.129 833.89.172 833.89.173	120°	0-3000		30			
833.89.058 833.89.174 833.89.175	N/A	N/A			Ø 13.5 x 45.9	≥ Ø 14.5 x 55.9	

732.28.406

	mm									
833.89.126 833.89.168 833.89.127 833.89.169 833.89.128 833.89.171 833.89.166 833.89.167 833.89.170	 	833.89.129 833.89.172 833.89.173								
833.89.058 833.89.174 833.89.175	 2x	 <table border="1"> <thead> <tr> <th>X</th> <th></th> </tr> </thead> <tbody> <tr> <td>500</td> <td>833.89.140</td> </tr> <tr> <td>1000</td> <td>833.89.141</td> </tr> <tr> <td>2000</td> <td>833.89.142</td> </tr> </tbody> </table>	X		500	833.89.140	1000	833.89.141	2000	833.89.142
X										
500	833.89.140									
1000	833.89.141									
2000	833.89.142									
833.89.092 833.89.163 833.89.165										

	100 - 240 V~

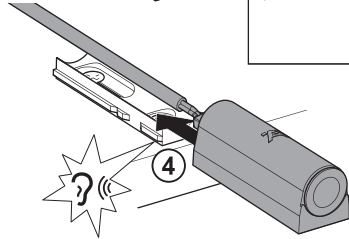
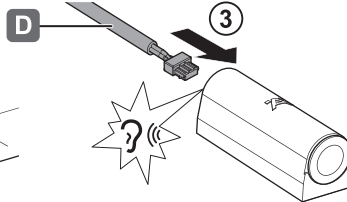
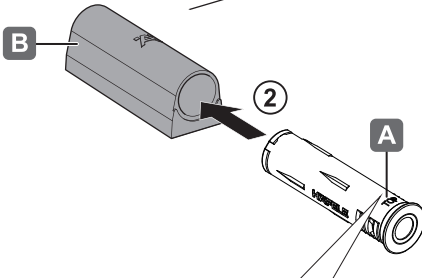
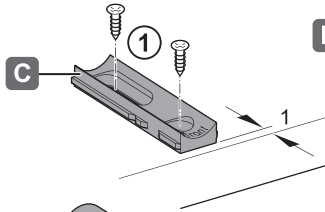
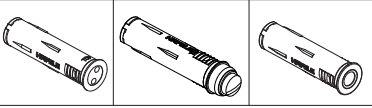
HDE 22.02.2022



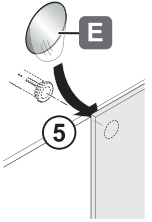
732.28.406

HDE 22.02.2022

1.2



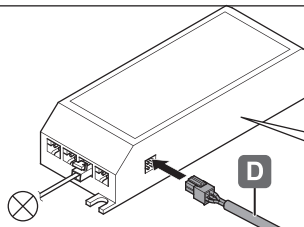
833.89.128
833.89.170
833.89.171



	833.89.126		833.89.129
	833.89.127		833.89.172
	833.89.128		833.89.173
	833.89.166		833.89.058
	833.89.167		833.89.174
	833.89.170		833.89.175
	833.89.168		
	833.89.169		
833.89.171			

732.28.406

2



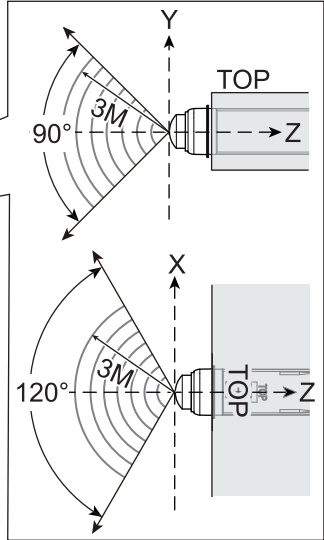
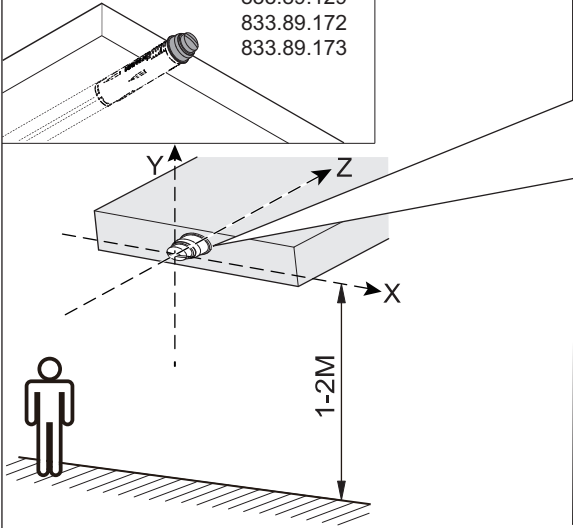
Loox	12 V
Loox	24 V
Loox	350 mA

HDE 22.02.2022

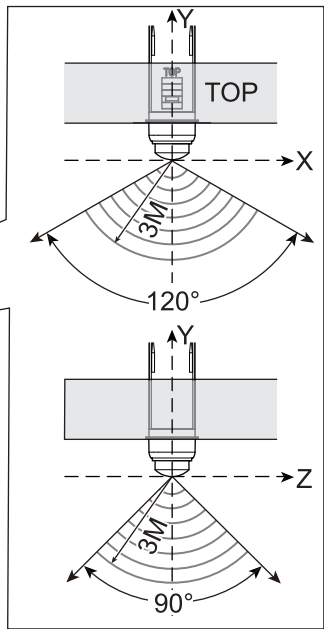
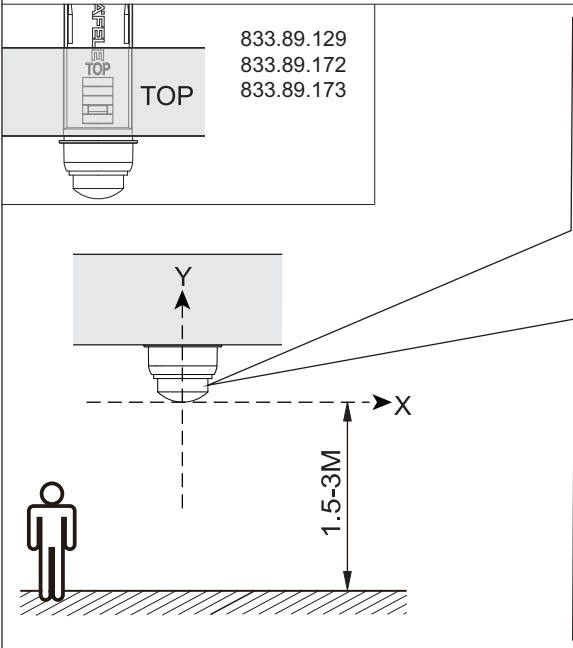


i

833.89.129
833.89.172
833.89.173



833.89.129
833.89.172
833.89.173



732.28.406

HDE 22.02.2022