



KOSMO KITCHEN STORAGE.

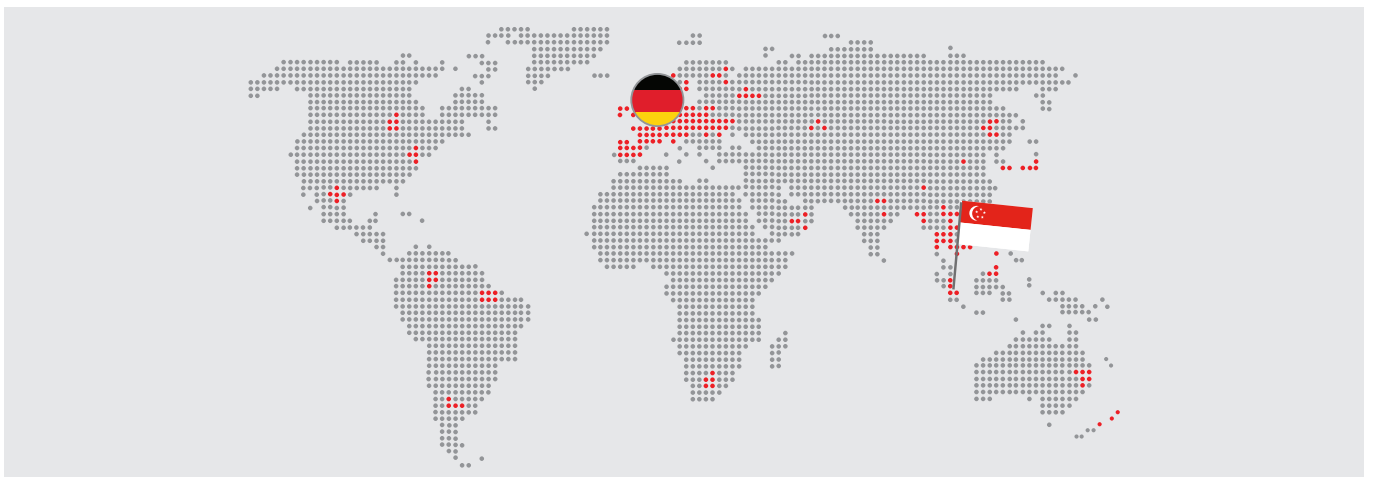
HÄFELE - WHERE TRUST WAS BUILT FROM COMPETENCE



Founded in Germany in 1923, Häfele is a world-renowned provider of smart home and project solutions. Häfele's superior range of products not only exemplifies German quality standards, but is developed with the philosophy of "functionality" and "easiness" in mind to offer reliable solutions for both professionals and consumers.

Since the establishment in Singapore in 1988, Häfele has been continuously improving and expanding its products and services, making the key components of Singaporean homes - door security as well as kitchen, wardrobe and the home appliances to a much more efficient spaces.

With innovative solutions, adherence to high standards and a dedicated team, Häfele Singapore looks to create more modern and optimal living spaces for Singaporeans in the future.



WARRANTY OVERVIEW

TESTED QUALITY & CAREFREE WARRANTY

Häfele's products are developed and made with one of the world-leading furniture fitting technologies that has proven themselves for 100 years and counting. Moreover, they are frequently tested in accordance with Häfele's strict quality standards as well as those of many prestigious organizations around the world.





The pull-out shelving system is organized as follows:

- Top shelf:** Two loaves of bread in a white basket and a roll of paper towels.
- Second shelf:** Three white coffee tins labeled 'Coffee'.
- Third shelf:** Baking mixes including 'PIZZA CRUST MIX', 'DOUGHNUT MIX', and 'APPLE PIE MIX'.
- Fourth shelf:** Baking mixes including 'WHITE CHOCOLATE CHUNKS', 'MILK CHOCOLATE CHUNKS', 'SEMISWEET CHOCOLATE CHUNKS', and 'WHITE CHOCOLATE CHUNKS'.
- Fifth shelf:** Four clear plastic water bottles.
- Sixth shelf:** Five bottles of HAFELE brand oil, including white and red varieties.
- Seventh shelf:** Four bottles of wine.

Below the main shelving unit, the cabinet door is open, revealing a second pull-out shelf system containing:

- Top shelf:** Red plates and bowls.
- Bottom shelf:** White plates and bowls.

Second pull-out shelf system containing:

- Top shelf:** Red plates and bowls.
- Bottom shelf:** White plates and bowls.

HAFELE dishwasher with a control panel on the front.



HÄFELE

HÄFELE

HÄFELE

HÄFELE



BASE UNITS

Pull-outs with adjustable sizes for your storing demands are a perfect solution for base cabinets. With just a slight pull, everything you need for cooking and setting up table for a family meal will come right into your hands.



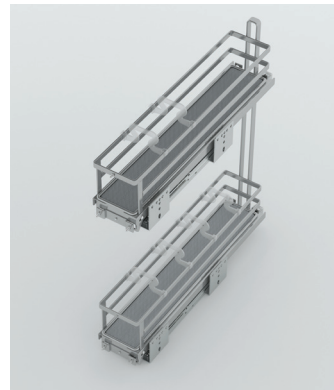
BASE CABINETS





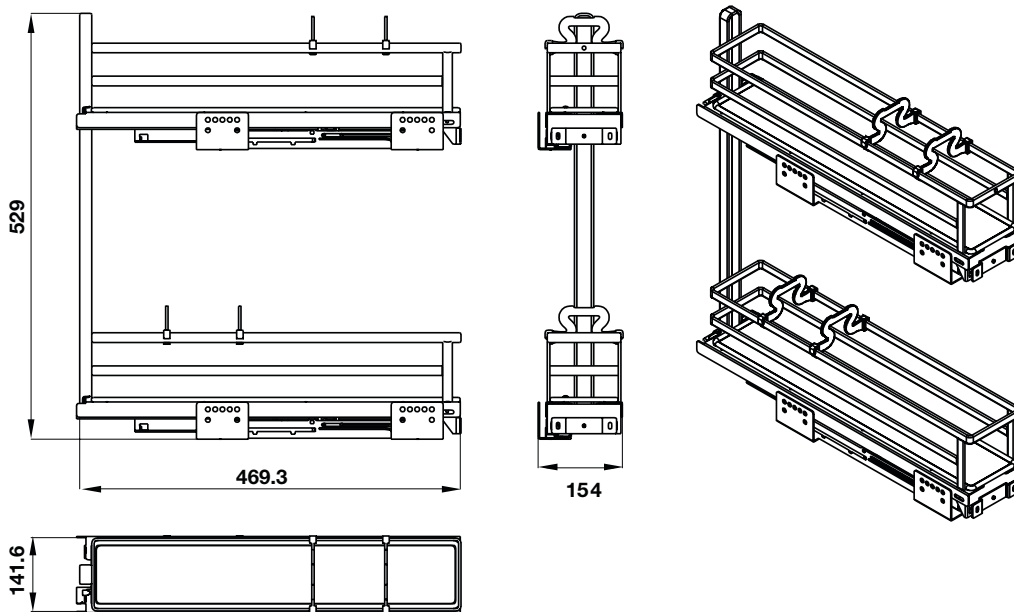
OMERO 200

MAX.
35 KG

- > Designed for narrow spaces
- > Suitable for all kinds of spice jars
- > Clip-on soft-closing runners with side-mounted baskets
- > Anti-slip mat for preventing tumbles when opened / closed
- > Maximum weight capacity: 35 kg



OMERO 200					
Finish	Cabinet width (mm)	Internal cabinet depth (mm)	Dim. W x D x H mm	Cat. No.	*Price (SGD)
Nano painting 	200	490	155 x 482 x 530	549.20.841 	238



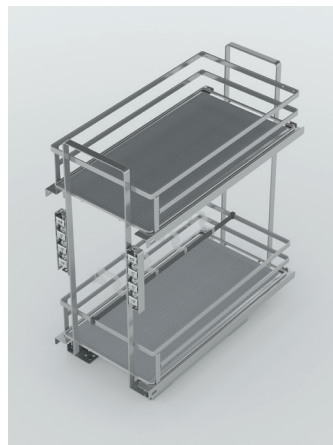
BASE CABINETS






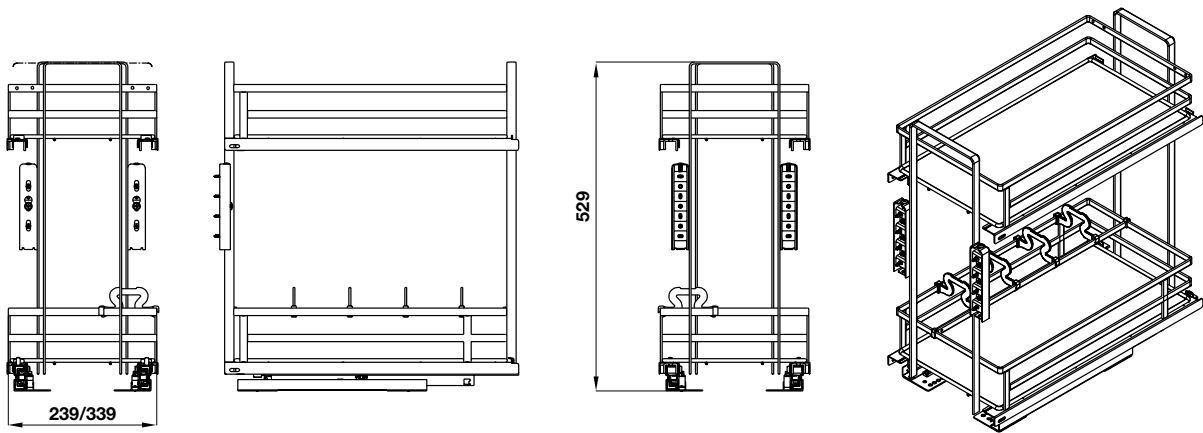
OMERO 300



- > Suitable for all kinds of spice jar
- > Clip-on soft-closing runners
- > Anti-slip mat for preventing tumbles when opened / closed
- > Maximum weight capacity: 35kg



OMERO 300						
Finish	Cabinet width (mm)	Internal cabinet depth (mm)	Dim. W x D x H mm	Cat. No.		*Price (SGD)
Nano painting 	300	min. 490	243 x 483 x 530	549.20.823		248
	400	min. 490	343 x 483 x 530	549.20.825		278

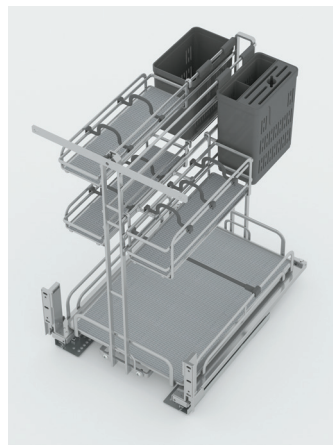




BASE CABINETS

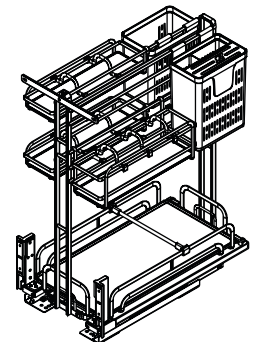
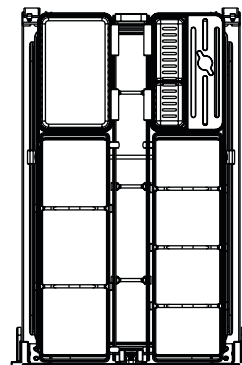
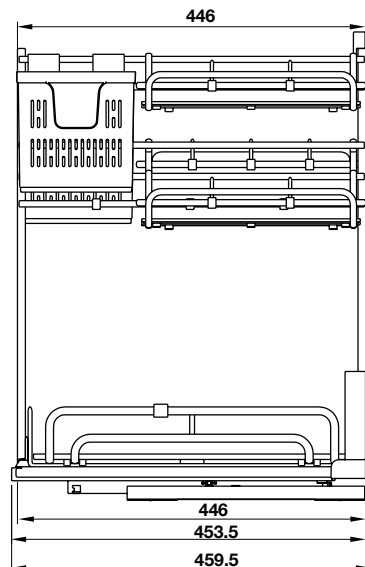
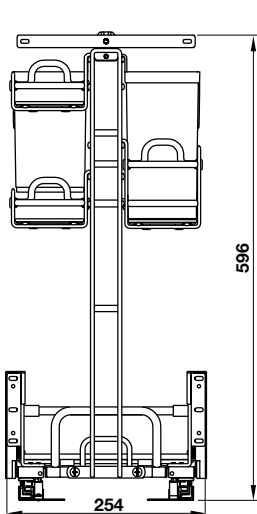


OMERO MULTI

- > Suitable for all kinds of spice jar, utensils, cutlery, and even chop boards
- > Clip-on soft closing runners with multi-dividers
- > Anti-slip mat for preventing tumbles when opened / closed
- > Maximum weight capacity: 35 kg



OMERO MULTI						
Finish	Cabinet width (mm)	Internal cabinet depth (mm)	Dim. W x D x H mm	Cat. No.	*Price (SGD)	
Nano painting 	300	min. 490	257 x 460 x 600	595.00.803 	298	



BASE CABINETS







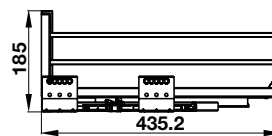
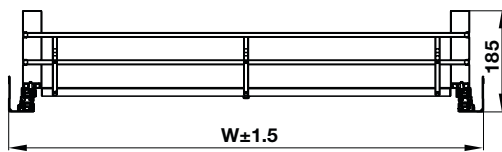
KASON



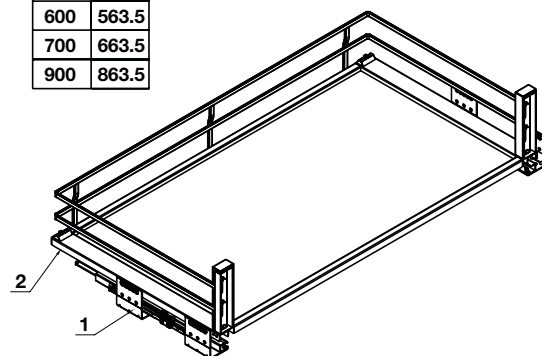
- > Anti-slip mat for preventing tumbles when opened / closed
- > Maximum weight capacity: 35 kg



KASON						
Finish	Cabinet width (mm)	Internal cabinet depth (mm)	Dim. W x D x H mm	Cat. No.		*Price (SGD)
Nano painting 	600	450	564 x 435 x 185	549.08.864		178
	700	450	664 x 435 x 185	549.08.865		188
	900	450	864 x 435 x 185	549.08.868		208



	W
600	563.5
700	663.5
900	863.5



CORNER UNITS

With unique designs and smart mechanism, Kosmo corner fittings can easily turn your normally ignored kitchen corners into an ideal place for storing cookware and flatware. The baskets operate smoothly and independently for you to arrange and get things with ease.



CORNER CABINETS






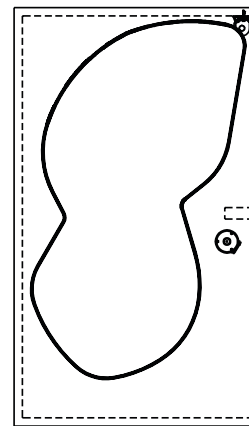
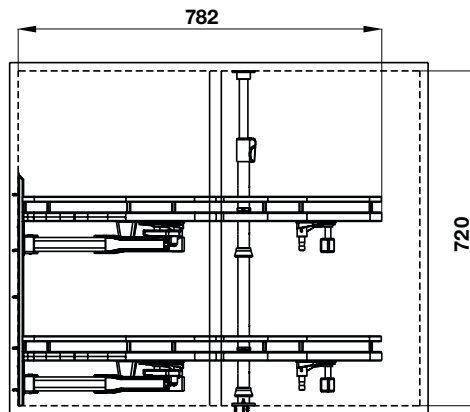
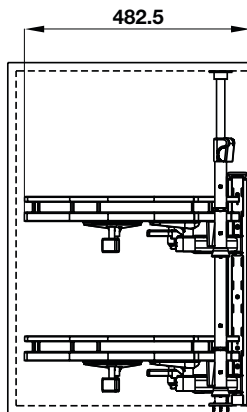
OLLA MOVE



- > Designed for L-shaped kitchen
- > Trays are swung fully out of cabinet corner and independently, making it easy to arrange and get things
- > Anti-slip mat for preventing tumbles when opened / closed
- > Total maximum weight capacity: 20 kg (10 kg per tray)
- > Soft closing mechanism



OLLA MOVE							
Finish	Cabinet width (mm)	Internal cabinet depth (mm)	Internal cabinet width (mm)	Dim. W x D x H mm	Version	Cat. No.	*Price (SGD)
Nano painting 	900	500	412 - 418	782 x 483 x (700-770)	Right side	541.01.804 	598
					Left side	541.01.814 	598



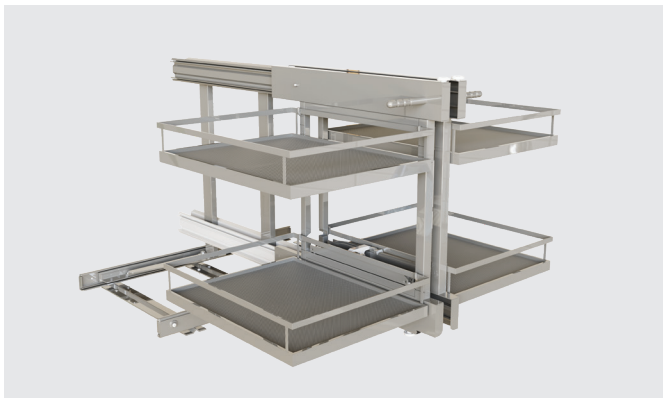
CORNER CABINETS





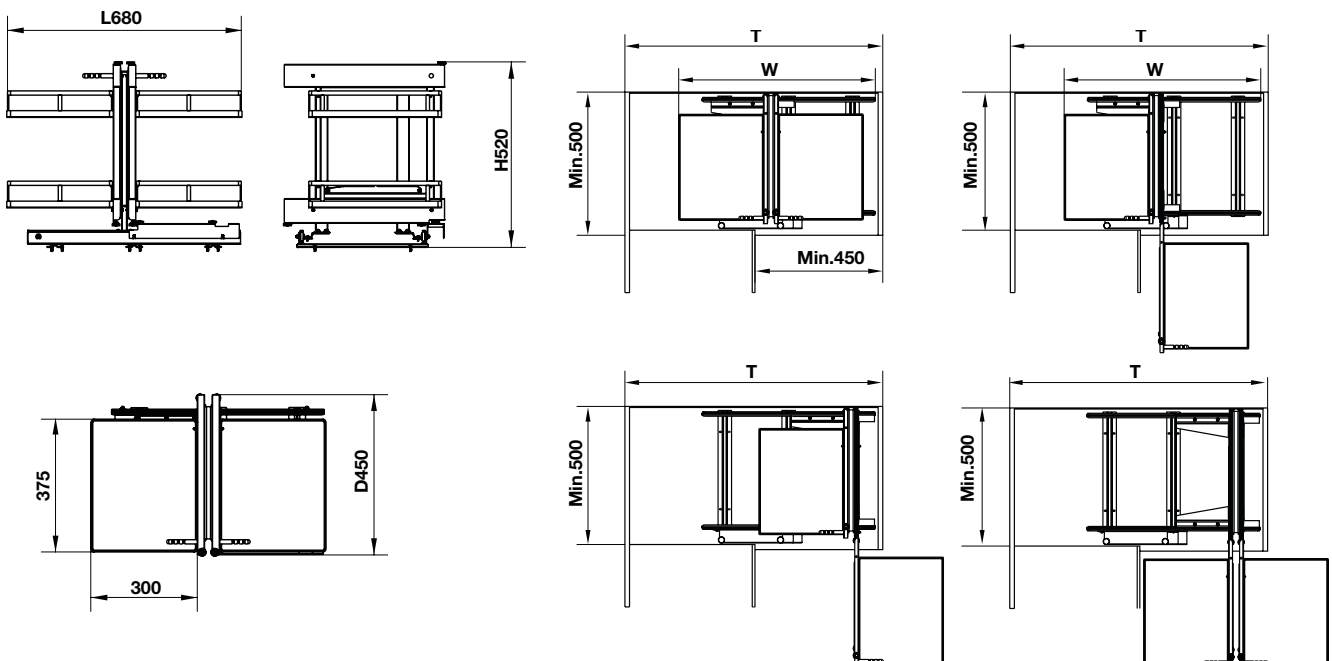
OLLA

MAX.
20 KG

- > Designed for L-shaped kitchen
- > Fully opening system allowing all 4 trays to be totally pulled out from cabinet corner
- > Soft closing mechanism
- > Anti-slip mat for preventing tumbles when opened / closed
- > Total maximum weight capacity: 20 kg (5 kg per tray)



OLLA						
Finish	Cabinet width (mm)	Internal cabinet depth (mm)	Dim. W x D x H mm	Version	Cat. No.	*Price (SGD)
Nano painting 	900	500	680 x 450 x 520	Right/left side	595.50.804 	598



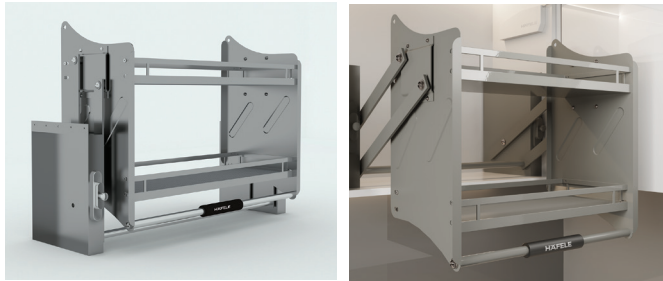


WALL UNITS

More than just a storage solution, Kosmo fittings for wall cabinets offer a great experience for all the members of your family: Movable baskets are pulled down and lifted easily to bring you whatever you need.

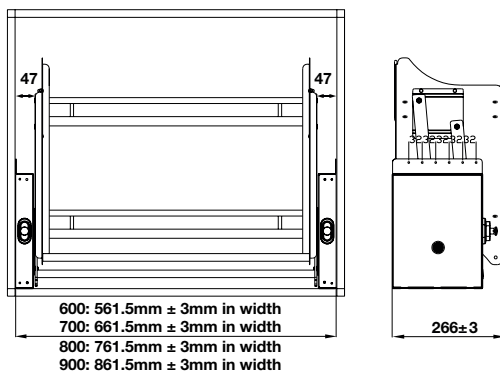
WALL CABINETS

ORIA

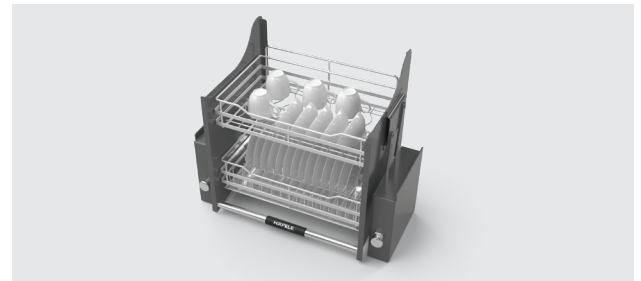


- > Easy to lift and pull down for arranging and taking things
- > Anti-slip mat for preventing tumbles during opening and closing
- > 3 weight loading adjustment levels
- > With soft-closing mechanism
- > For dry storage
- > Total maximum weight capacity: 10 kg

ORIA					
Finish	Cabinet width (mm)	Internal cabinet depth (mm)	Dim. W x D x H mm	Cat. No.	*Price (SGD)
Nano painting	600	300	560 x 280 x 560	504.76.814	528
	700	300	660 x 280 x 560	504.76.815	538
	800	300	760 x 280 x 560	504.76.817	548
	900	300	860 x 280 x 560	504.76.818	568

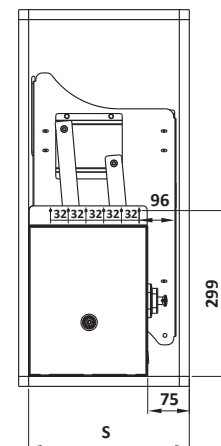


LENTO



- > Designed for modern kitchen
- > Easy to pull up and down, to arrange and take out items
- > Supplied with water drain sheet, easy to clean
- > Each set includes 1 upper drip off rack, 1 lower drip off rack and 2 trays
- > Total maximum weight capacity: 12 kg

LENTO					
Finish	Cabinet width (mm)	Internal cabinet depth (mm)	Dim. W x D x H mm	Cat. No.	*Price (SGD)
Stainless steel SUS304 Inox 304	800	Min. 300	765 x 280 x 560	504.76.022	558
	900	Min. 300	862 x 280 x 560	504.76.023	598





TALL UNITS

Turn your tall cabinets into a perfect pantry with Kosmo fittings: Various designs with multiple large-capacity trays for you to freely store anything you need from canned foods, cereal boxes, oil bottles to tableware.

TALL CABINETS



KARA SWING

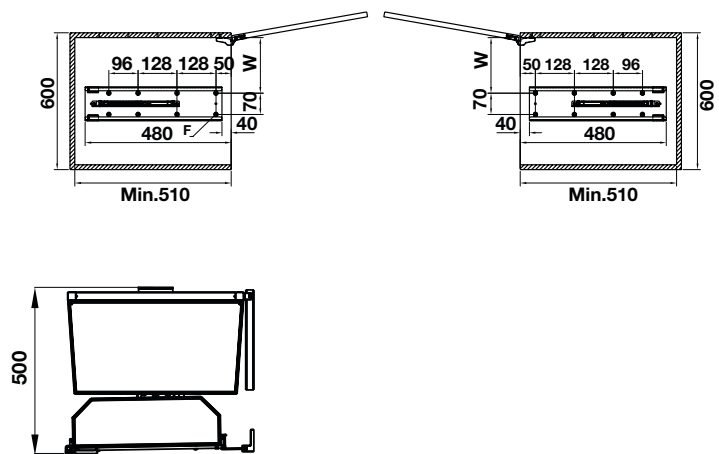
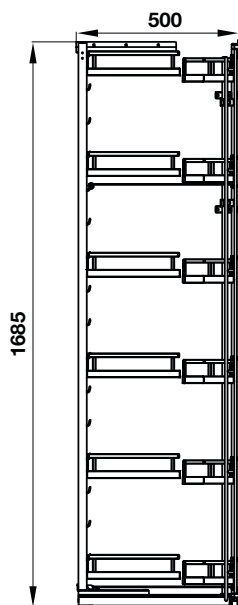
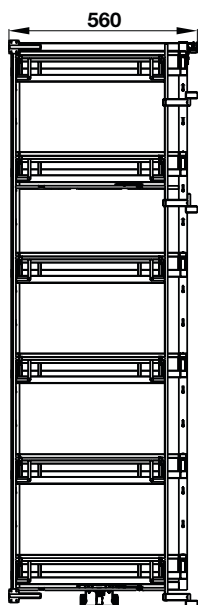


- > Door-installed trays optimizing space
- > Clearly divided trays help increase space, making it easy to arrange and take things
- > Anti-slip mat for preventing tumbles when opened / closed
- > Maximum weight capacity: 8 kg/large tray and 3 kg/small tray



KARA SWING

Finish	Cabinet width (mm)	Internal cabinet depth (mm)	Dim. W x D x H mm	Cat. No.	*Price (SGD)
Nano painting	600	min. 510	560 x 490 x 1690	548.65.862	978



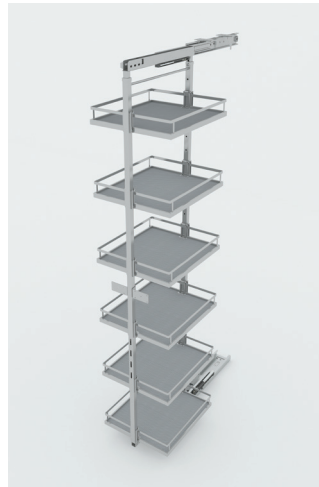
TALL CABINETS





KARA PULL

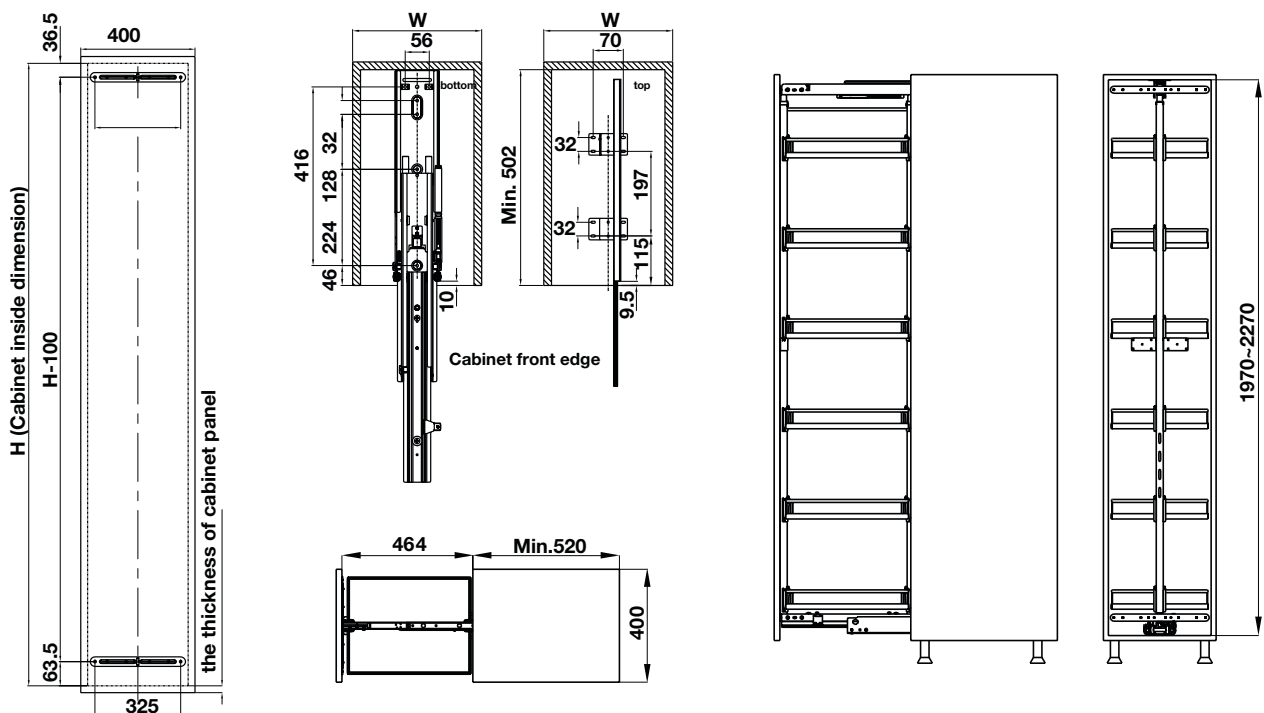


- > Clearly divided trays help increase space, making it easy to arrange and take things
- > Anti-slip mat for preventing tumbles when opened / closed
- > Heavy-duty runners
- > Not inclusive of handle
- > Maximum weight capacity: 10 kg/tray



KARA PULL

Finish	Cabinet width (mm)	Internal cabinet depth (mm)	Dim. W x D x H mm	Cat. No.	*Price (SGD)
Nano painting 	400	500	345 x 500 x (1970-2270)	595.80.803 	828

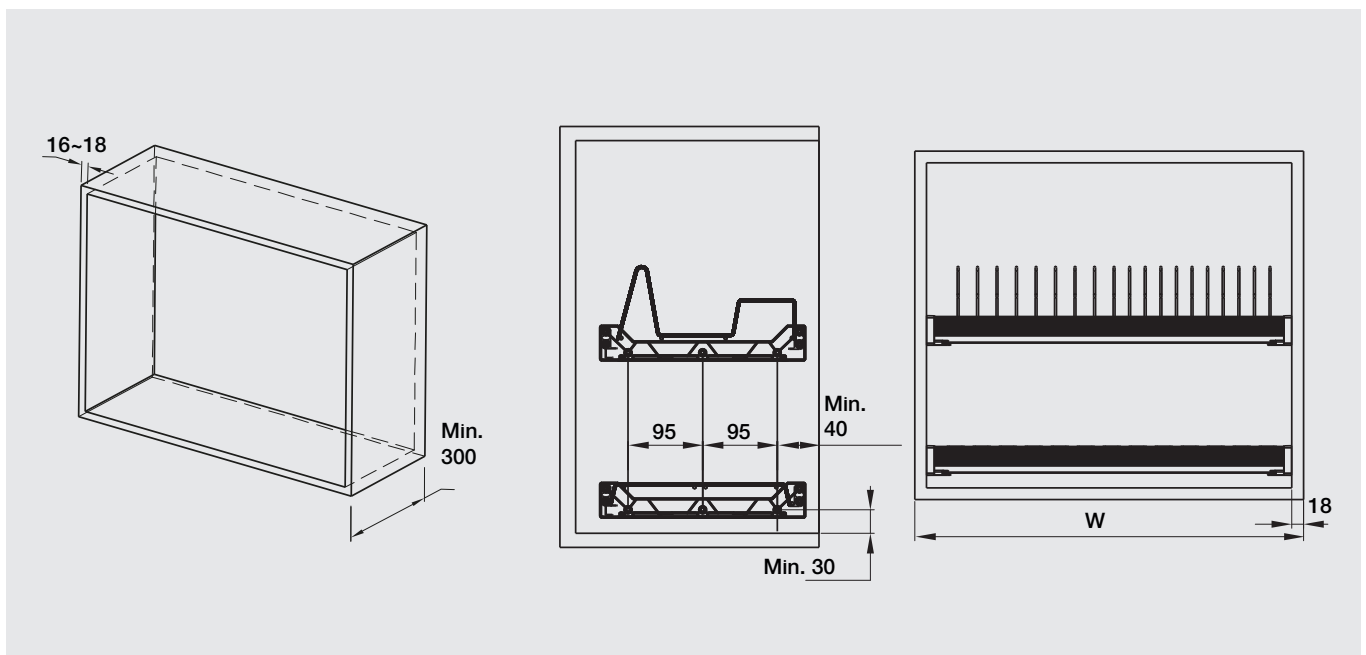


 Stock Item  Freight Item


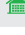
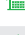
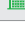
DISH DRAINER SYSTEM



- > Material: Drip off rack in 304 stainless steel and plastic side panel brackets
- > Finish: Polished drip off rack with grey side panel brackets
- > Solution for storing dishes after washing
- > Minimalist design, suitable for modern kitchen space
- > Easy to clean



Dish drainer rack set, depth 240mm

Width mm	Internal Width mm	Material	Cat. No.	*Price (SGD)
600	564	Drip off rack: Stainless steel	544.40.003 	158
700	664	Side panel bracket: Plastic	544.40.011 	168
800	764		544.40.013 	188
900	864		544.40.014 	218

HÄFELE CARE

After Sales Service Call Center



+65 6653 1466



+65 9154 7616



support@hafelecare.com

STANDARD OPERATING HOURS

Monday to Friday / 9am to 6pm

Closed on Saturday & Sunday

*Only Häfele Digital Lock extension line - 24 Hours

HÄFELE

HÄFELE SINGAPORE PTE LTD

OFFICE / SHOWROOM

No. 1 Kaki Bukit Road 1, #01-27/28 Enterprise One, Singapore 415934

Phone: +65 6848 9075 | WhatsApp: +65 9653 1683 | Email: showroom@hafele.com.sg

SHOWROOM OPERATING HOURS

9am to 6pm (Monday - Friday)

Closed on Public Holidays, Saturday & Sunday

www.hafele.com.sg

Facebook: @hafelesg

Instagram: @hafelesg

YouTube: @hafelesg1988

LinkedIn: company/hafelesg