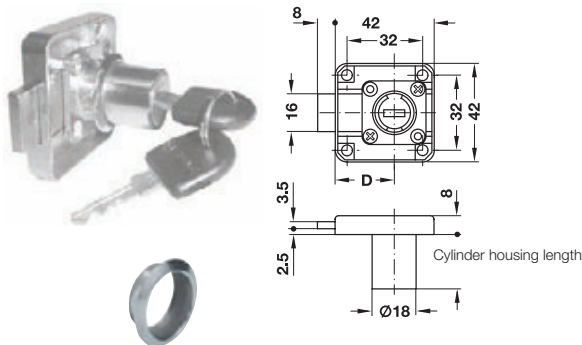


SYMO E Dead bolt rim lock

Backset D 25 mm, short bolt travel



- Area of application: For doors or drawer runners
- Material: Zinc alloy
- Finish: Nickel plated
- Installation: Screw fixing

Key change	Cat. No.
With different key changes	
-	232.28.620

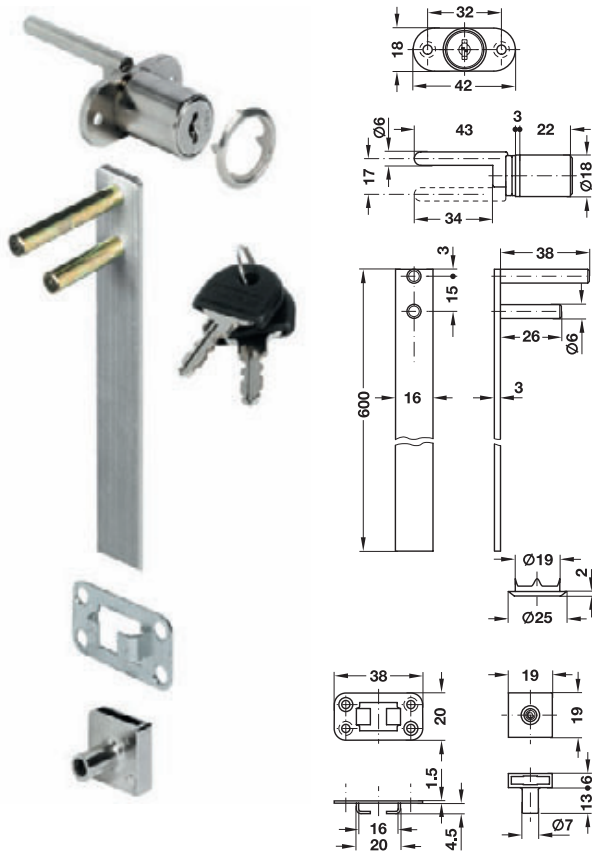
Packing: 1 or 20 pcs.

Supplied with

- 1 Dead bolt rim lock
- 1 Cylinder core
- 2 Keys
- 1 Cylinder rosette

4

Central locking rotary cylinder with plate cylinder



- Area of application: For mounting in the front panel
- Material: Zinc alloy
- Finish: Nickel plated matt
- Closure direction: Key and lifting pin 180°
- Locking system: With 6 plate levers, key can be removed in open and locked position
- Key changes: 3,000 different key changes are possible
- Travel: 17 mm
- Cylinder Ø: 18 mm
- Cylinder housing length: 22 mm
- Installation: Screw fixing

Key change	Cat. No.
With different key changes	
-	234.99.600
Keyed alike	
SH 1	234.99.601

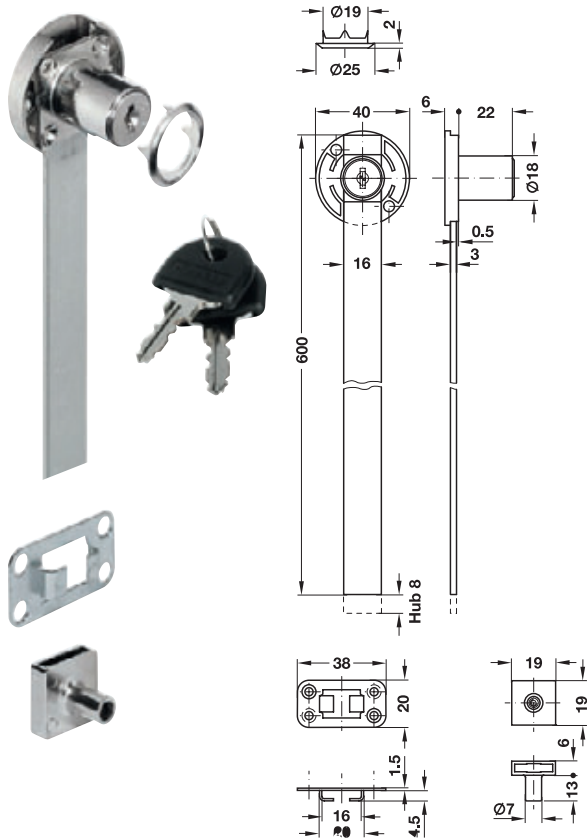
Packing: 1 or 20 pcs.

Supplied with

- 1 Central locking rotary cylinder
- 2 Keys with black plastic key caps
- 1 Cylinder rosette
- 1 Central locking bar, 600 mm long
- 2 Bar guides
- 3 Arresting pins

We reserve the right to alter specifications without notice (SEA Basic 2008/09).

Central locking rotary cylinder with plate cylinder



- Area of application: For mounting in the carcass side panel
- Material: Zinc alloy housing and cylinder, aluminium bar
- Finish: Housing and cylinder nickel plated matt
- Version: With aluminium bar, 600 mm long
- Locking system: With 6 plate levers, key can be removed in open and locked position
- Key changes: 3,000 different key changes are possible
- Travel: 8 mm
- Cylinder Ø: 18 mm
- Cylinder housing length: 22 mm
- Installation: Screw fixing

Key change	Cat. No.
With different key changes	
-	237.47.600
Keyed alike	
SH 1	237.47.601

Packing: 1 or 20 pcs.

Supplied with

- 1 Central locking rotary cylinder
- 2 Keys with black plastic key caps
- 1 Cylinder rosette
- 2 Bar guides
- 3 Arresting pins

Electronic keypunch lock

- Area of application: For doors opening right
- Material: Plastic housing
- Wood thickness: 12 – 16 mm
- Bolt length: 15 mm

Order information

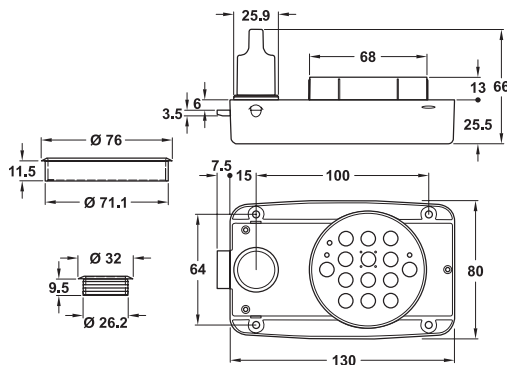
Please order batteries, striking plate, screwdriver and espagnolette fittings separately.

Information

Other wood thicknesses and bolt lengths are available on request.

Function

Ideal for cabinets in interior spaces such as leisure centres. The user closes and opens the cabinet by entering a code which they compose themselves. The next cabinet user will enter their own new code. No key lose or damage! No coins or cards are necessary.



4

Standard version



Supplied with

- 1 Pin key wrench size 2.5
- 2 Rosettes
- 4 Screws
- Installation instruction

Colour	Cat. No.
Anthracite, RAL 7016	225.37.010

Packing: 1 pc.

Accessories for keypunch lock

Battery box



Area of application	Cat. No.
Plug in emergency backup	225.37.900

Packing: 1 pc.

Battery



Information

3 pieces required for keypunch lock.

Version	Cat. No.
Alkaline manganese, 1.5 V type E91 (AA)	910.54.980

Packing: 4 pc.

Screwdriver



- Area of application: To unscrew the casing for the battery to be replaced

Version	Cat. No.
Ball headed, with hexagon socket wrench size 2.5	006.28.362

Packing: 1 pc.