

Kitchen Appliances

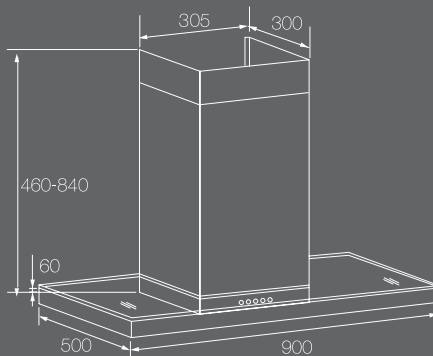


GERMAN HARDWARE TECHNOLOGY

FURNITURE FITTINGS ** ARCHITECTURAL HARDWARE ** SANITARY ** KITCHEN

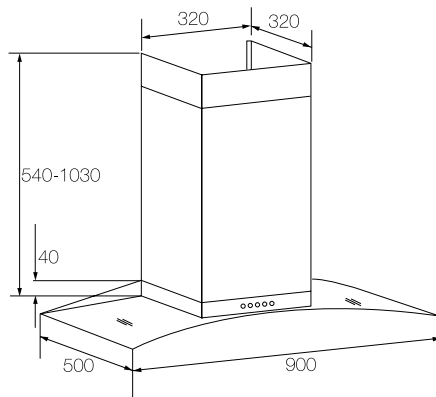


Article No: 536.86.293



90cm Chimney Hood
 Stainless Steel
 3 Speed Control
 Exhaust capacity 900 – 1100m³/hr
 Halogen Lamp
 Metal & Charcoal Filter
 Booster Function & Timer
 Touch Control Panel
 900 (W) x 500 (D) x 460 - 840 (H)

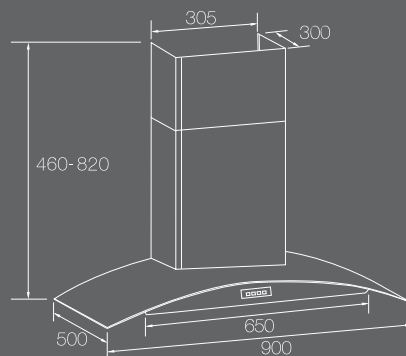
90cm Chimney Hood
 Stainless Steel with Glass Wing
 3 Speed Control
 Exhaust capacity 900 – 1100m³/hr
 Halogen Lamp
 Metal & Charcoal Filter
 Booster Function & Timer
 Touch Control Panel
 900 (W) x 500 (D) x 540-1030 (H)



Article No: 536.86.263

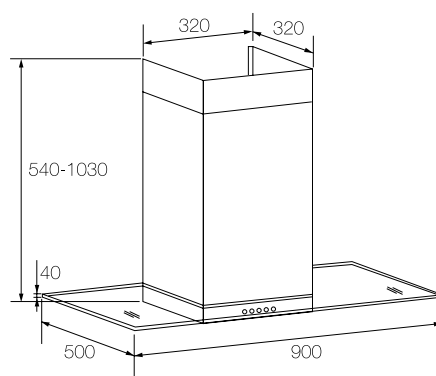


Article No: 536.86.333

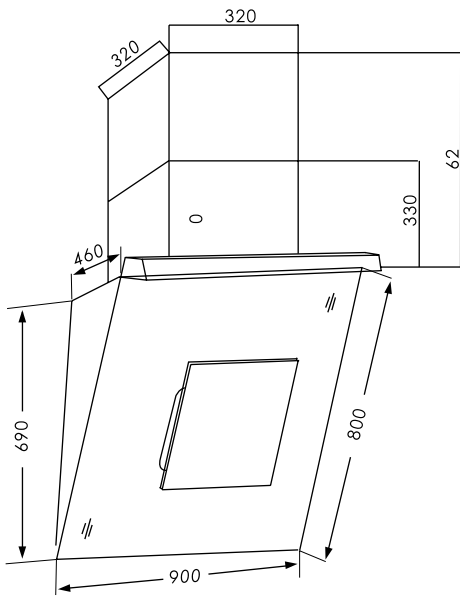


90cm Chimney Hood
 Stainless Steel with Glass Wing
 3 Speed Control
 Exhaust capacity 900 – 1100m³/hr
 Halogen Lamp
 Metal & Charcoal Filter
 Booster Function & Timer
 Touch Control Panel
 900 (W) x 500 (D) x 460 - 820 (H)

90cm Chimney Hood
 Stainless Steel with Glass Wing
 3 Speed Control
 Exhaust capacity 900 – 1100m³/hr
 Halogen Lamp
 Metal & Charcoal Filter
 Booster Function & Timer
 Touch Control Panel
 900 (W) x 500 (D) x 540-1030 (H)



Article No: 536.86.273



90cm Designer Hood
Stainless Steel with Black Glass Front Panel
3 Speed Control
Exhaust capacity 900-1100m³/hr
LED Lamp
Metal & Charcoal Filter
Booster Function & Timer
Touch Control Panel
900(W) x 460(D) x 1020-1310(H)



Article No: 536.86.313

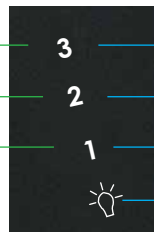
Touch for 3 Seconds :

Turbo setting for 7 minutes, 900 – 1100m³/hr

Delay shut-off @ medium setting in 5 minutes

Delay shut-off @ low setting in 5 minutes

One Touch :



High Setting

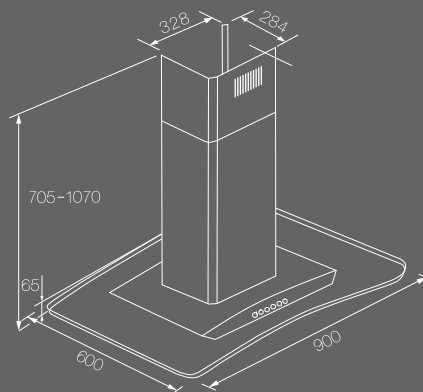
Medium Setting

Low Setting

Lamp

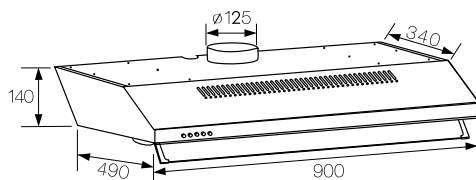


Article No: 500.30.711



90cm Island Hood
Stainless Steel
4 Speed Control
Exhaust capacity 1100 m³/hr
Halogen Lamp
Metal & Charcoal Filter
Booster Function & Timer
Luminous Soft Control
900 (W) x 600 (D) x 705 - 1070 (H)

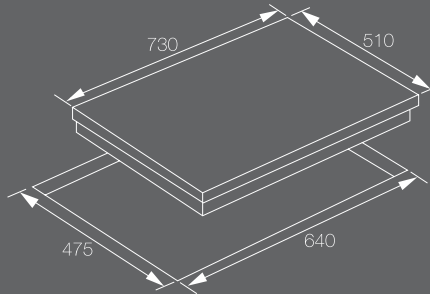
90cm Slime Line Hood
Stainless Steel
3 Speed Control
Exhaust capacity 560 m³/hr
Halogen Lamp
Metal & Charcoal Filter
Button Control
900 (W) x 490 (D) x 140 (H)



Article No: 536.88.113

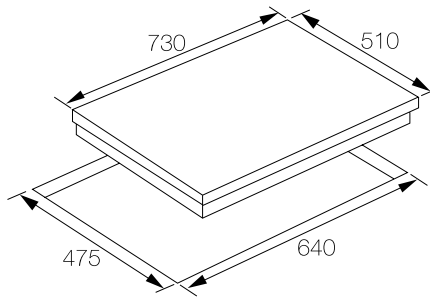


Article No: 536.06.113



70cm Stainless Steel Hob
2 x Duo Control Burner (4.5kW)
Triple Injector Valve
Inner & Outer Ring Control
Brass Crescent Burners
Battery Ignition (Battery not included)
Safety Valve
Cast Iron Trivets
Dimension : 730(W) x 510(D) x 110(H)
Cut Out Size : 640(W) x 475(D)

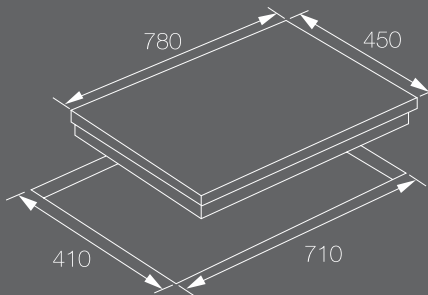
70cm Stainless Steel Hob
1 x Semi-Rapid Burner (1.7kW)
2 x Duo Control Burner (4.5kW)
Triple Injector Valve
Inner & Outer Ring Control
Brass Crescent Burners
Battery Ignition (Battery not included)
Safety Valve
Cast Iron Trivets
Dimension : 730(W) x 510(D) x 110(H)
Cut Out Size : 640(W) x 475(D)



Article No: 536.06.123

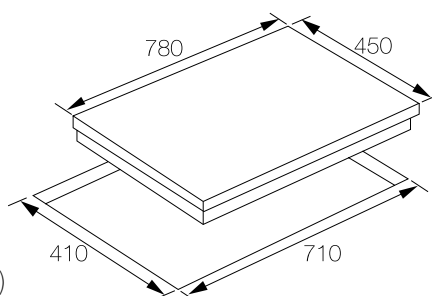


Article No: 536.06.005

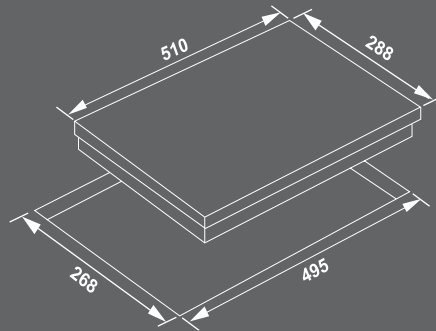


80cm Tempered Glass Hob
2 x Duo Control Burner (4.5kW)
Triple Injector Valve
Inner & Outer Ring Control
Brass Crescent Burners
Battery Ignition (Battery not included)
Safety Valve
Cast Iron Trivets
Dimension : 780(W) x 450(D) x 115(H)
Cut Out Size : 710(W) x 410(D)

80cm Tempered Glass Hob
1 x Semi-Rapid Burner (1.7kW)
2 x Duo Control Burner (4.5kW)
Triple Injector Valve
Inner & Outer Ring Control
Brass Crescent Burners
Battery Ignition (Battery not included)
Safety Valve
Cast Iron Trivets
Dimension : 780(W) x 450(D) x 115(H)
Cut Out Size : 710(W) x 410(D)



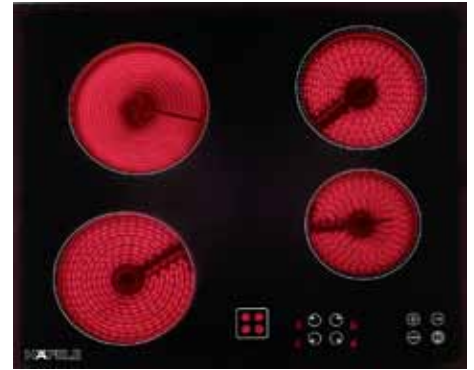
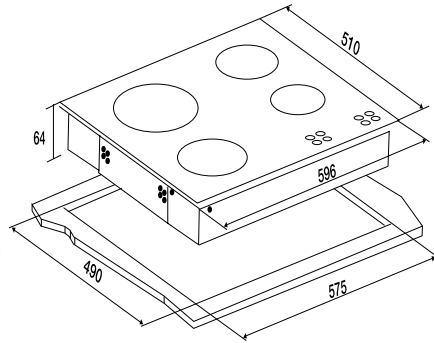
Article No: 536.06.015



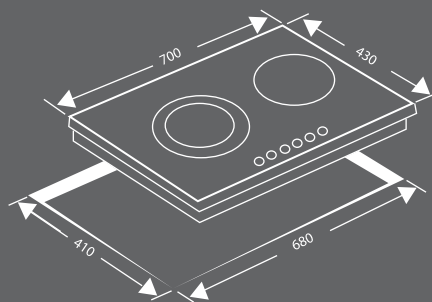
Article No: 536.06.060

30cm Domino Vitro Ceramic Hob
 2 Vitro Ceramic Zone (1.8kW, 1.2kW)
 Overall Power 3000W
 Electric Operated
 Sensor Touch Control
 8 Power Levels
 Individual Residual Heat Indicators
 Safety Lock & Child Lock (Touch for 3 sec)
 Dimension : 288 (W) x 510 (D) x 65 (H)
 Cut Out Size : 268 (W) x 495 (D)
 Requires 13 Amp Plug

60cm Vitro Ceramic Hob
 4 Vitro Ceramic Zone
 (2.2kW, 1.8kW, 1.5kW x 1.2kW)
 Overall Power 6700W
 Electric Operated
 Sensor Touch Control
 8 Power Levels
 Individual Residual Heat Indicators
 Safety Lock & Child Lock (Touch for 3 sec)
 Dimension : 596 (W) x 510 (D) x 65 (H)
 Cut Out Size : 575 (W) x 490 (D)
 Requires 30 Amp Plug



Article No: 536.06.171



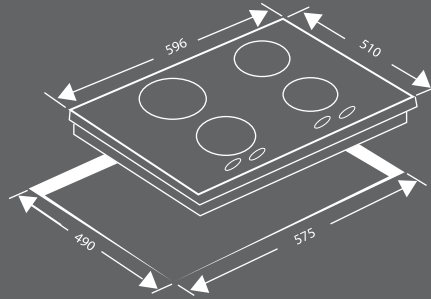
Article No: 536.06.164

70cm Vitro Ceramic Hob
 2 Vitro Ceramic Zone (2.2kW, 1.8kW)
 Overall Power : 4000W
 Electric Operated
 Sensor Touch Control
 8 Power Levels
 Individual Residual Heat Indicators
 Safety Lock & Child Lock (Touch for 3 sec)
 Dimension : 700(W) x 430(D) x 65(H)
 Cut Out Size : 680(W) x 410(D)
 Requires 18 Amp Plug



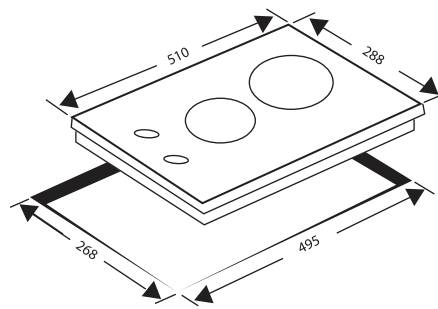


Article No: 536.06.221



60cm Induction Hob
4 Induction Zone
(Overall Power : 5200W)
Electric Operated
Sensor Touch Control
9 Power Levels
Individual Residual Heat Indicators
Safety Lock
Dimension : 596(W) x 510(D) x 65(H)
Cut Out Size : 575(W) x 490(D)
Requires 25 Amp Plug

30cm Domino Induction Hob
2 Induction Zone
(Overall Power : 2600W)
Electric Operated
Sensor Touch Control
9 Power Levels
Individual Residual Heat Indicators
Safety Lock
Dimension : 288(W) x 510(D) x 65(H)
Cut Out Size : 268(W) x 495(D)
Requires 13 Amp Plug



Article No: 536.06.150





Charcoal filter



Halogen lamp



Blower

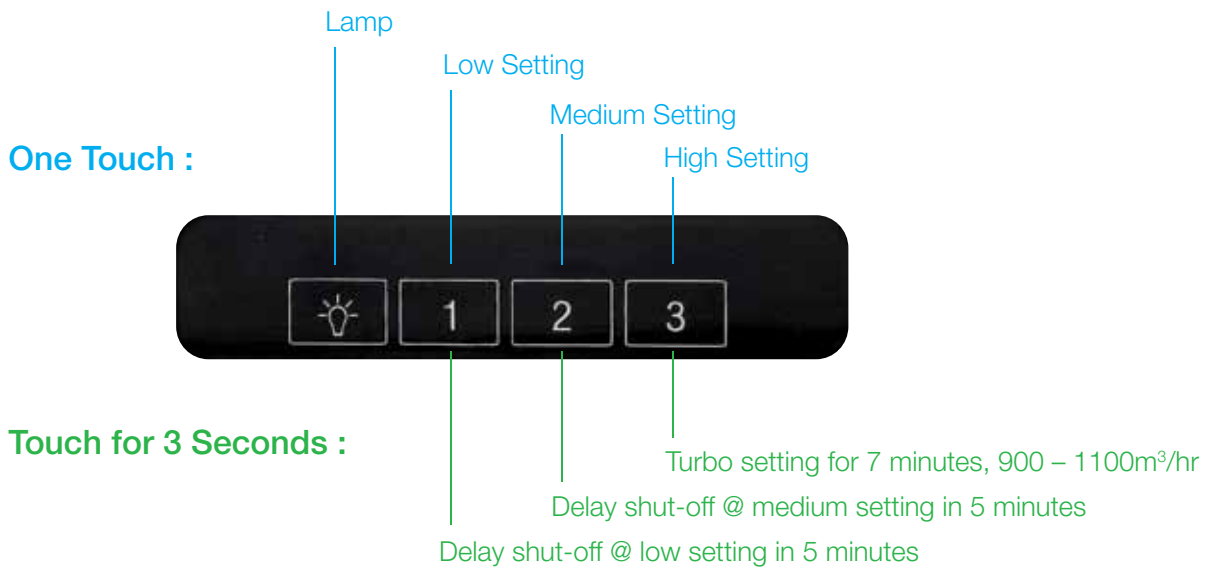


Oil cup

Designed to be simple yet Functional

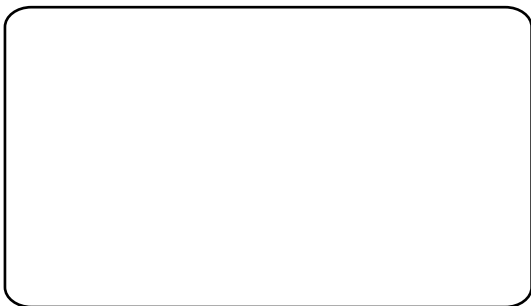
DUAL INTERFACE TOUCH CONTROLLER

The simple interface is easy to operate and packs with useful features such as the dual speed delay shut-off and turbo setting



DUAL CONTROL ON THE WOK BURNERS

Packed with 3 injectors to deliver 4.5kW of cooking power & cast iron pan supports. The burners have a special Dual Control function to separately control the internal & external flames. Customizing your cooking requirements.



Häfele Singapore Pte Ltd
68 Sungei Kadut Loop #03-00 Nutzcentre Singapore 729504.
Email: info@hafele.com.sg Phone: (+65) 6494 7400 Fax: (+65) 6494 7401

This catalogue is only intended for use by the recipient.
All Constituents of the catalogue are the property of Häfele.

Reprinting of the catalogue in whole or extracts thereof, reprinting or limitation of the illustrations or imitation of the design is forbidden.

The technical representations and dimensional information in this catalogue are non-binding, including those in the illustrations and drawings.
Right reserved to make design improvements. All dimensions in mm unless otherwise specified.

No liability accepted for printing errors and mistake made during the production of the catalogue.

All delivery are made in accordance with Häfele term and conditions of sale.